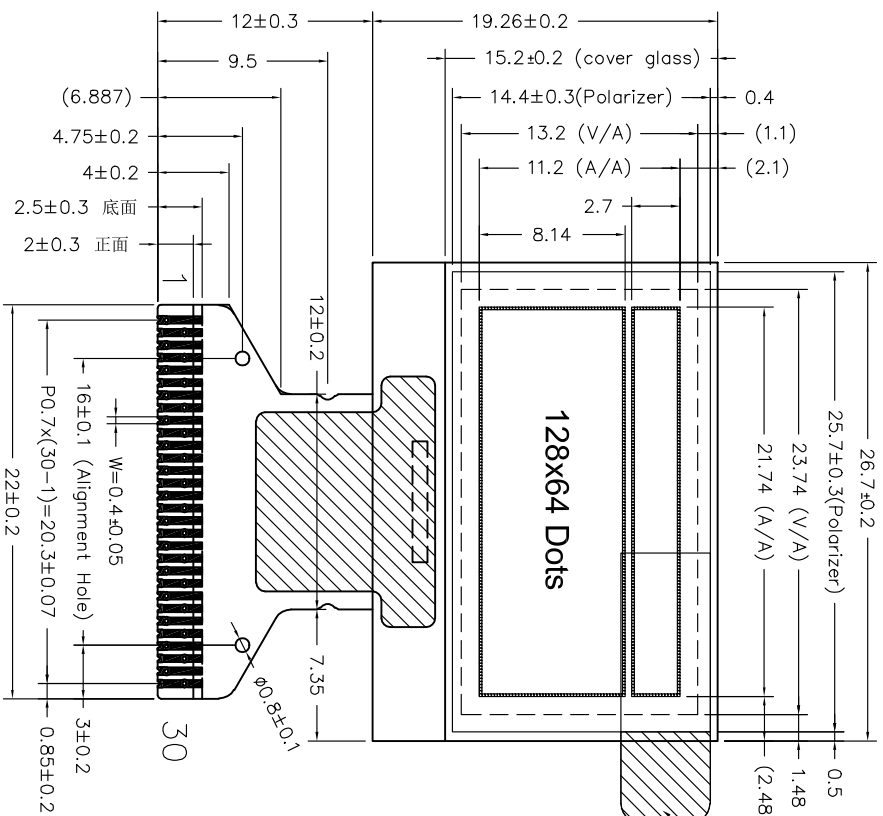
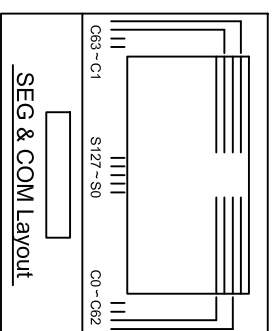
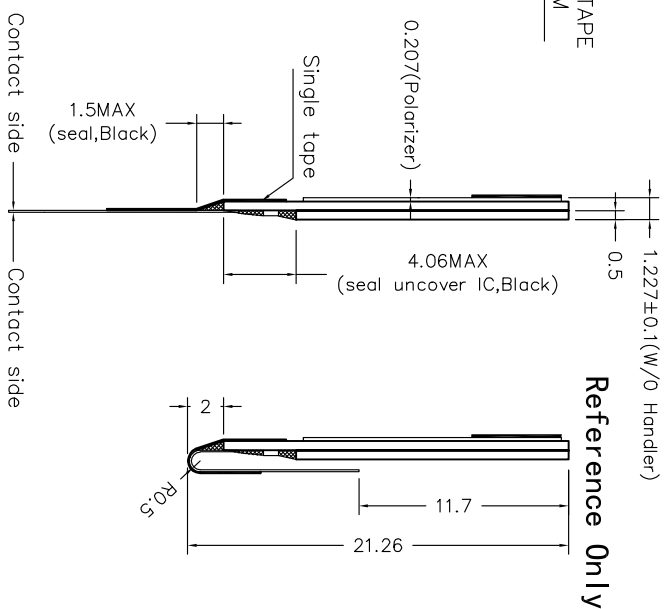
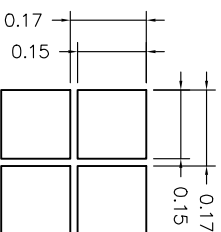


Customer approval :



- Specifications:
1. Display : OLED(Y&B).
 2. Dot Matrix: 128*64
 3. Dot Size: 0.15*0.15mm
 4. Dot Pitch: 0.17*0.17mm
 5. Aperture Rate: 78%
 6. Active Area : 21.74*11.2mm
 7. Drive IC: SSD1306



PIN	SYMBOL
1	NC(GND)
2	C2P
3	C2N
4	C1P
5	C1N
6	VBAT
7	NC
8	VSS
9	VDD
10	BS0
11	BS1
12	BS2
13	CS#
14	RES#
15	D/C#
16	R/W#
17	E/RD#
18	D0
19	D1
20	D2
21	D3
22	D4
23	D5
24	D6
25	D7
26	IREF
27	VCOMH
28	VCC
29	VSSS
30	NC(GND)

REV	REVISION RECORD	DATE	MODEL NO.	GENERAL TOL:
A	FIRST ISSUE	2017/08/08	SV012864B04-3C135VB2-WCE	±0.3
B			模组型号 APPROVED BY 审核	
C			Lu CHECKED BY 检查	
D			Liu Francis 2017/08/08 DRAWING BY 绘图 Luoxian 2017/08/08	



深圳市三元晶科技有限公司
ShenZhen TCC LCD HI-Tech Co., Ltd.

