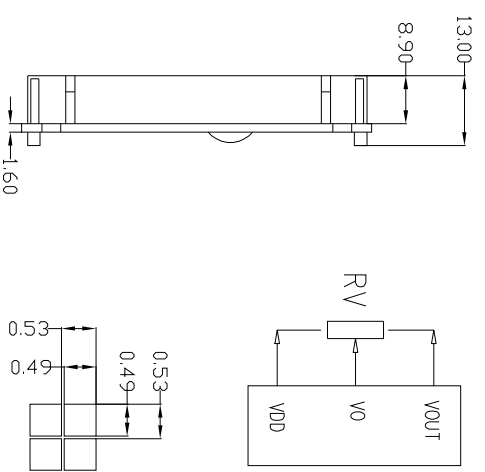
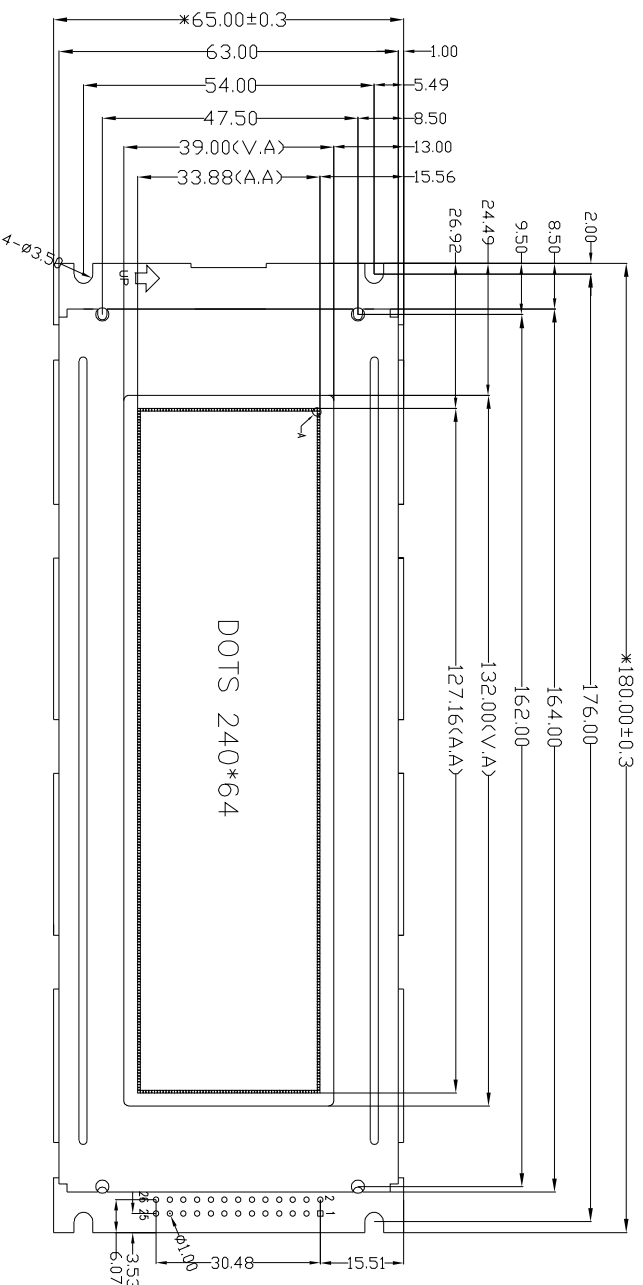


Customer approval :



PIN	1	2	3	4	5	6	7	8	9	10	11	12	13
CONNECTION	FG	GND	VCC	V0	WR	RD	CE	C/D	NC	RES	DB0	DB1	DB2
PIN	14	15	16	17	18	19	20	21	22	23	24	25	26
CONNECTION	DB3	DB4	DB5	DB6	DB7	NC	VOUT	INT	BUSY	BLA	BLK	BLA	BLK

Specification:

- 1). Driving: Dots:240*64, Duty:1/64, Bias:1/9,VDD:5.0V,VOUT:-14.08V,V0:-7.8V
- 2). Viewing Direction: 6 o'clock
- 3). Display mode:STN/Positive/Transflective/YG
- 4). Operating temp.: -20°C~+70°C
Storage temp.: -30°C~+80°C
- 5). Controller IC:RA8822
- 6). Backlight: White
- 7). Dimensions with mark "*" are important, with mark "(" are referenced
- 8). All the raw materials are RoHS compliant

REVISION RECORD		REV				
First issue	AO					
DRAWING NO.		SYB24064B4ZKV32				
APPROVED BY		LAN				
CHECKED BY		2013/04/09				
GENERAL TOL:		± 0.3				
UNIT:		mm				
PAGE		1/1				

TCC 深圳市三元晶科技有限公司
Shenzhen TCC LCD Hi-Tech Co., Ltd.