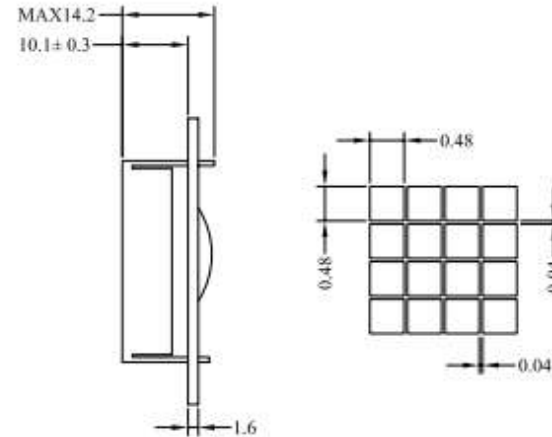
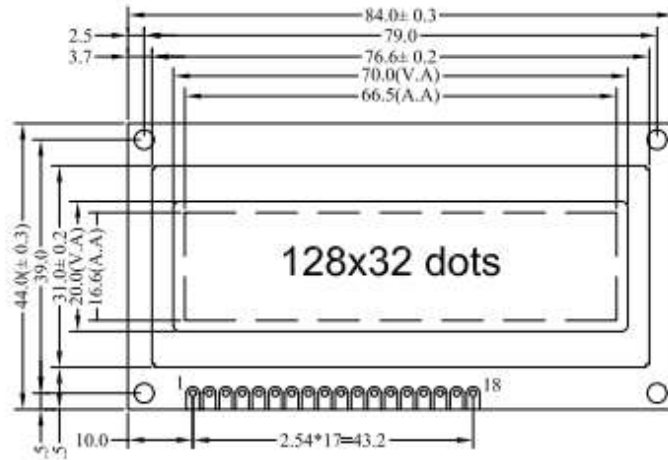


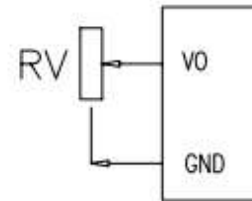
Customer approval :



ITEM	SYMBOL	LEVEL
1	VSS	0V
2	VDD	+5V
3	V0	—
4	RS(CS)	H/L
5	R/W(SID)	H/L
6	E(SCK)	H.H→L
7-14	DB0-DB7	H/L
15	PSB	H/L
16	/RST	L
17	LEDA	+5V
18	LEDK	0V

SPECIFICATION:

- 1). Driving: Duty:1/32, Bias:1/5, Vdd:5.0V, Vlcd:4.6V
- 2). VIEWING DIRECTION: 6 O'CLOCK
- 3). Display mode: STN/Negative/Transmissive/Blue
- 3). Operating temp.:0°C~+50°C
- 4). Storage temp.: -10°C~+60°C
- 5). Control IC: ST7920 (Or Compatible)
- 6). BACKLIGHT: EDGE,WHITE
- 7). DIMENSIONS WITH MARK "*" ARE IMPORTANT WITH MARK "<" ARE REFERENCED
- 8). All the raw materials are RoHS compliant



REV	REVISION RECORD	DATE
A0	First issue	12/06



深圳市三元晶科技有限公司
ShenZhen TCC LCD Hi-Tech Co., Ltd

MODEL NO. 模组型号	SYB12832DZKV10	GENERAL TOL: 未注公差 ±0.3
APPROVED BY	CHECKED BY	DRAWING BY
PAGE: 页面 1 OF 1		UNIT: mm 单位 mm
PROJECTION 三角法		